

DDX-10000

TURNTABLE SYSTEM



MICRO SEIKI

TURNTABLE SYSTEM

DDX-1000 (supplied without tonearm)

The Unique Turntable System

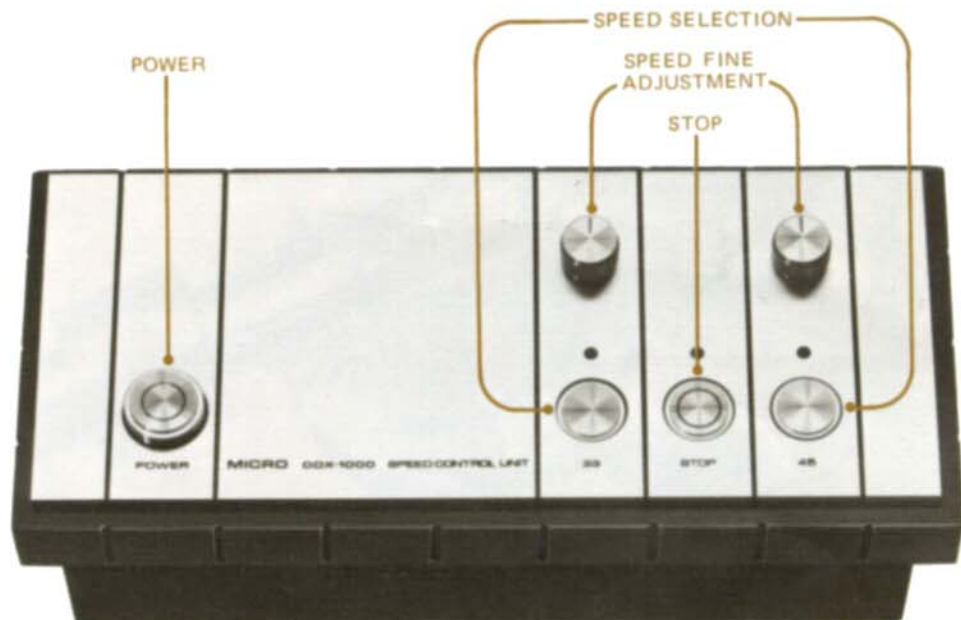
The three large insulators on the DDX-1000 form a unique absorber mechanism that not only eliminates entirely the hazards of external vibration, but also serves to isolate the arm mount from the turntable. Up to three high quality tonearms may be mounted simultaneously, and tonearms are interchanged easily and quickly. The power supply and transformer are completely isolated in a separate control unit, thus eliminating any feedback or hum interference.

Micro Seiki Design Integrity

These unique design concepts have been exhaustively researched and tested by our engineers. All the manufacturing and assembly stages conform to the highest quality standards in order to produce this definitive turntable system. The result is surely one of the finest turntables available. Absolutely superb mechanical stability and precision.

The Ideal Comparator

Itself incomparable, the DDX-1000 can help you enormously in comparing cartridges and tonearms. The turntable is so neutral, you effectively remove it as a variable in your judgment. And since up to three arms can be mounted simultaneously, your comparative evaluations will be much more accurate and definitive.



Turntable Mat

It has been widely recognized for a long time that the turntable mat plays a significant role in determining the quality of sound reproduction. For optimum isolation of the record from the platter, the DDX-1000 mat consists of separate layers of cork and rubber. Any resonance caused by platter rotation is effectively absorbed by the two-layer mat.

Turntable

The exceptional performance stability of the DDX-1000 can be attributed to the large, balance-tested platter. 31 cm, 2 kg (12.2 inches, 4.4 pounds), the platter has a significantly high moment of inertia: 330 kg·cm² (113 lbs.: in²).

Additionally, a low shaft burden has been achieved by distributing the weight around the periphery of the platter. The rotational momentum is accordingly very even and constant. Stroboscope markings are inscribed on the turntable, and as the stroboscope is aligned to a built-in oscillator, power line variations have no effect whatsoever on the rotational speed.

Neon Strobe Lamp

The neon lamp is driven by a built-in 45 Hz oscillator with a frequency fluctuation of less than 0.03%. The DDX-1000, therefore, does not rely on an external 50 Hz or 60 Hz frequency from the power line — power line frequency fluctuation is 0.2%. With this internal, stable device, speed accuracy is easily and effectively monitored.

Turntable Frame

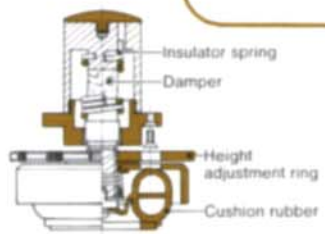
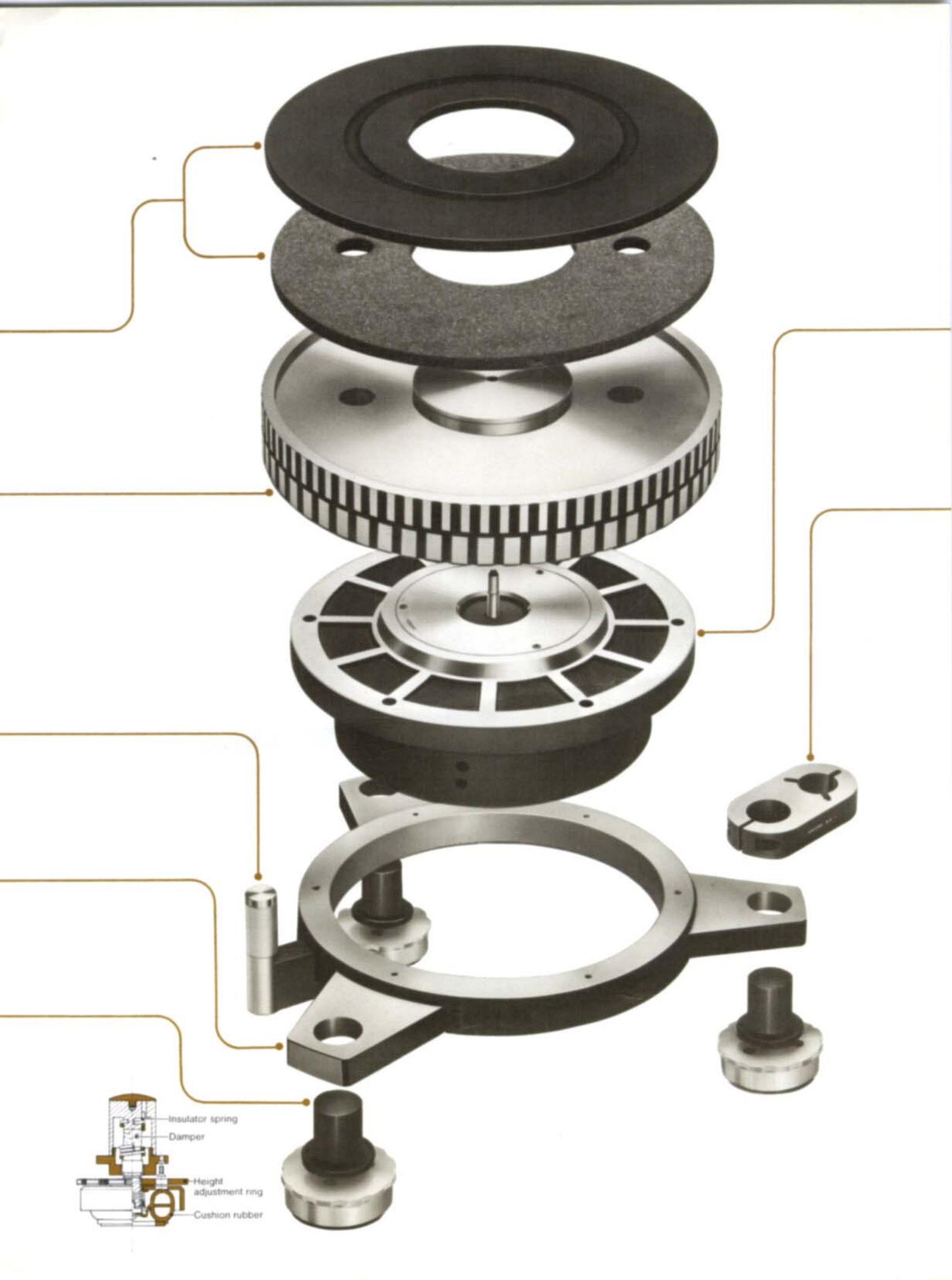
A unique 3-point supporting frame has been developed in order to increase the stability of the DDX-1000 system. Thus the mechanism is contained within the most stable operating conditions possible. The 1.9 kg (4.18 lbs.) frame is made of aluminium alloy.

Insulators

The two-layer absorber system consists of cushion rubber and insulator balls with built-in springs. Since the fulcrum lies in the upper part of the insulators, the resulting low center of gravity provides excellent compliance neutralization both horizontally and vertically.

Control Unit

The turntable controls and power supply have been incorporated in an independent unit for optimum ease of access to the power button, speed select buttons, and fine speed adjustment controls, which can vary the rated speed $\pm 6\%$ — a full octave.



Servo Motor

The DDX-1000 uses a direct drive, frequency governed servo motor for optimum speed stability. A strong, 1.2 kg (2.64 lbs.) starting torque facilitates fast, accurate speed attainment. And even under extreme conditions, the constant speed characteristics are unsurpassed: a 3 gram stylus pressure at 30 cm (11.79 in.) from the center of the platter produces no more than 0.04% speed deviation.

Arm Mounts

Two modular arm mounts are available optionally for precise, convenient installation of any high quality tonearm on any of the three positions. Now you can easily compare performance characteristics of tonearms and cartridges in order to maximize the efficiency of your total system interface. The DDX-1000 allows you to match specific disc playback characteristics with your cartridges and loudspeakers for the fullest possible enjoyment.

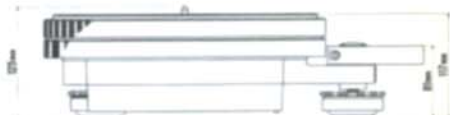
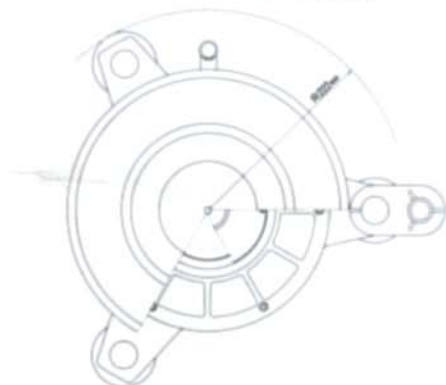
• DDX-1000 Specifications

Drive System	Direct drive, frequency governed DC servo motor.
Speeds	33-1/3 and 45 rpm
Platter	Aluminium alloy, 31 cm, 2 kg. (12.2 in., 4.4 lbs.) 330 kg·cm ² moment of inertia (113 lbs.·in ²)
Power Consumption	110V, 5W
Wow and Flutter	less than 0.025%
S/N Ratio	more than 63 dB
Speed adjustment range	±6% of the rated speed
Dimensions (W) x (D) x (H)	444 x 444 x 125 mm (174.8 x 174.8 x 49.21 in.)
Weight	10kg (22 lbs.) without control unit

AX-1 Tonearm Mount for the MA-505 and standard arms.



AX-2 Tonearm Mount for the SME-3009.



The DDX-1000

**a highly sophisticated turntable system for discerning
music lovers in pursuit of the ultimate in disc reproduction.**

