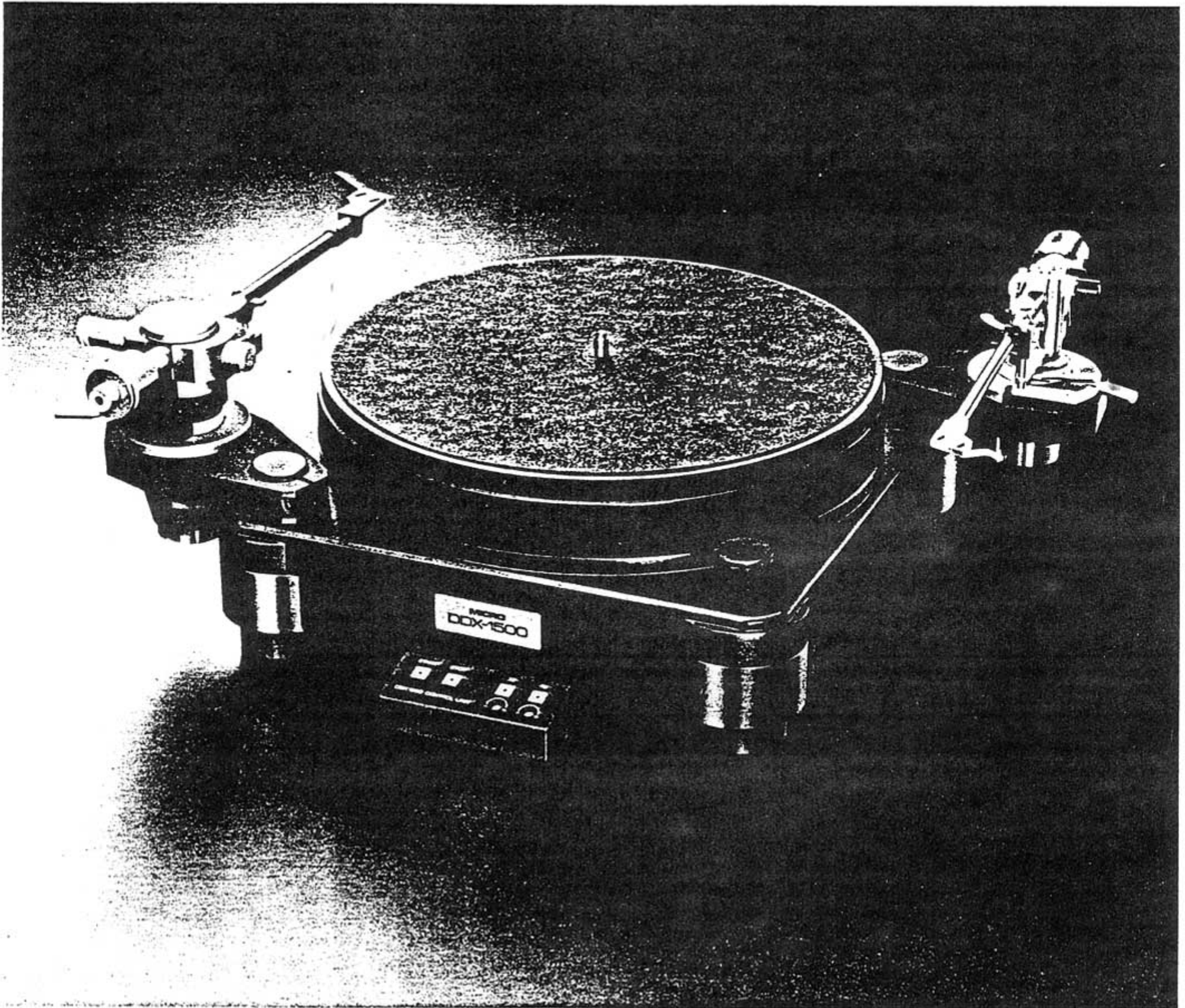


MICRO

DDX-1500

Direct-Drive Turntable System

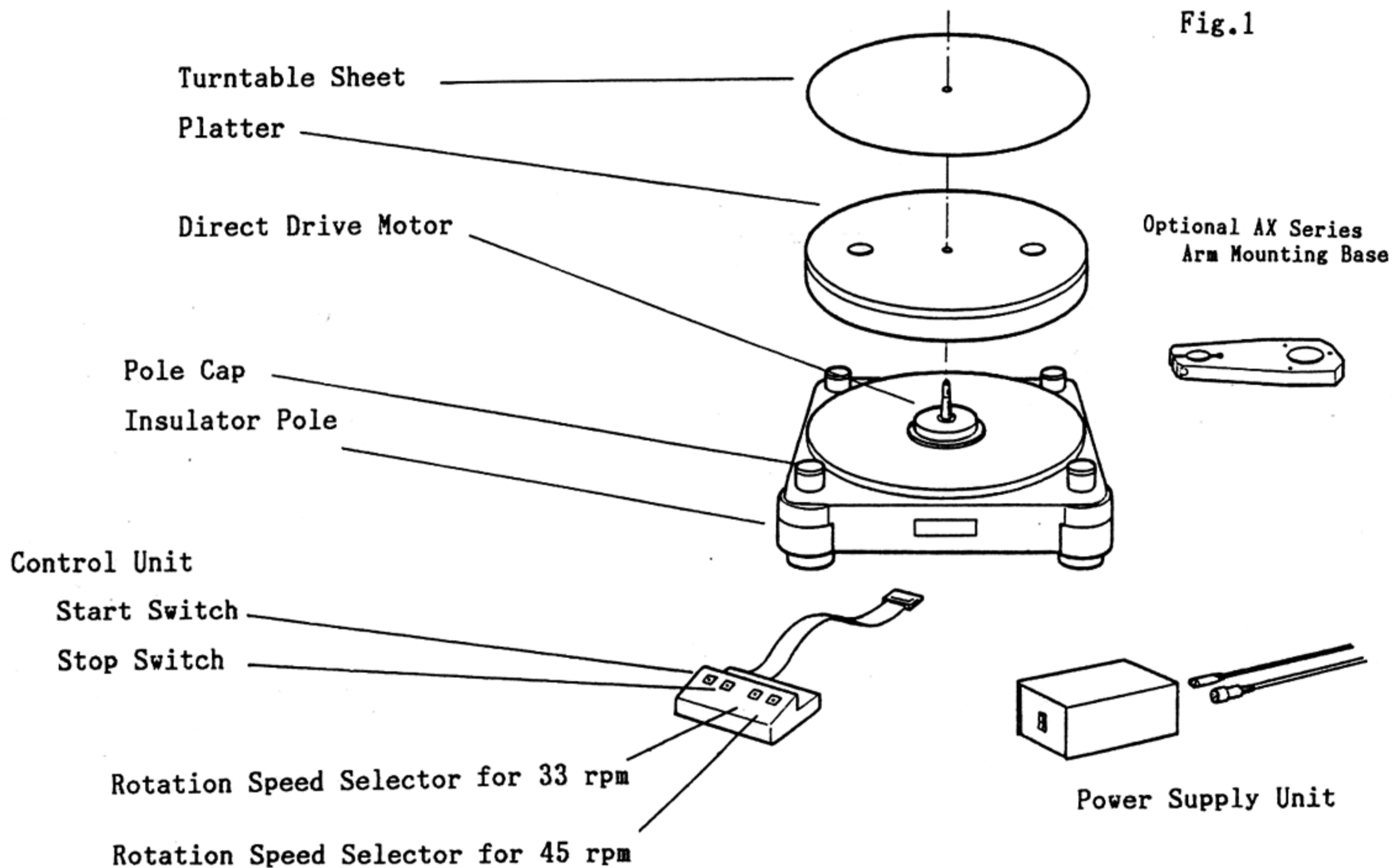
OPERATING MANUAL



MICRO SEIKI CO., LTD.

Congratulations upon your purchase of the MICRO DDX-1500. It is the most advanced, the most compact D.D. turntable system available in its class. For understanding its incomparable features and for allowing the system to reach its full performance potential, it will be worthwhile to read the following instructions prior to setting up and use.

■ EXPLODED VIEW



■ ACCESSORIES SUPPLIED

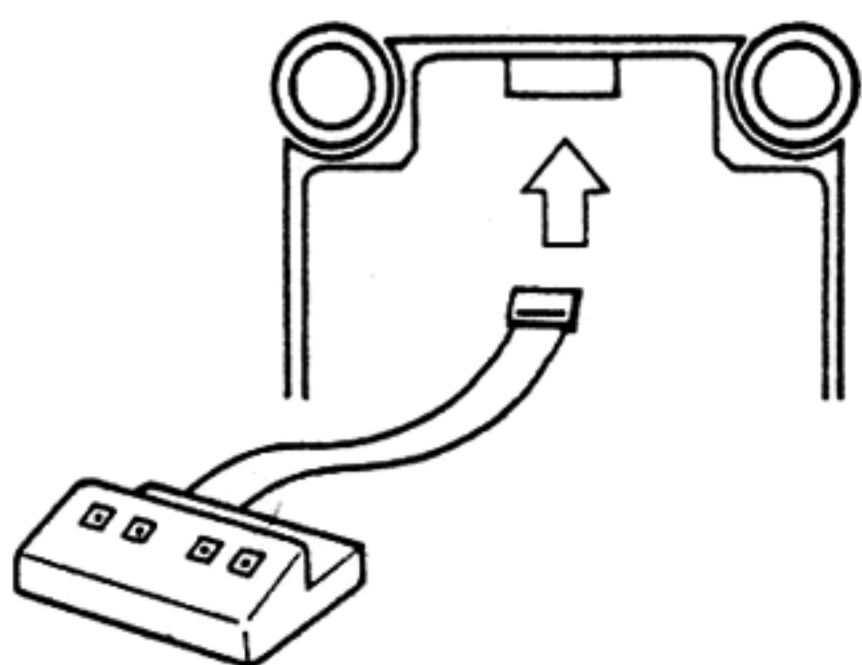
- 1 Artificial leather turntable sheet AS-1
- 2 Platter
- 3 45 rpm adaptor
- 4 Screw driver
- 5 Hexagonal wrench
- 6 Power supply unit
- 7 Operation control unit
- 8 AC cord

■ CONNECTION OF THE POWER SUPPLY UNIT AND OPERATION CONTROL UNIT

Both the Power Supply Unit and Operation Control Unit of the DDX-1500 are separated for better reproduction quality. According to the following procedures, connect these units to the turntable itself.

- Connect the power cord of the turntable to the 6-pin connector of the Power Supply Unit, and lock it.
- Connect the AC cord supplied to the Power Supply Unit.
- Connect the ribbon cable of the Operation Control Unit to the multi-pin connector located underside of the name plate on the turntable, and lock it.

Fig.2



■ SETTING UP OF THE TURNTABLE

- Unpack the platter and carefully mount it onto the center shaft of the turntable. Make sure that both the tapered hole of the platter and the center shaft are sufficiently clean.
- Set the turntable sheet supplied on the platter.

■ MOUNTING OF THE TONEARM

- Mount the tonearm of your choice onto the suitable Tonearm Mounting Base of the AX Series (Fig.3).
- Set the Mounting Base/tonearm assembly onto one of the insulator poles. Fix your cartridge on the tonearm and adjust the installation angle until the correct overhang is achieved. Then secure firmly with the Hexagonal wrench supplied (Fig.4).

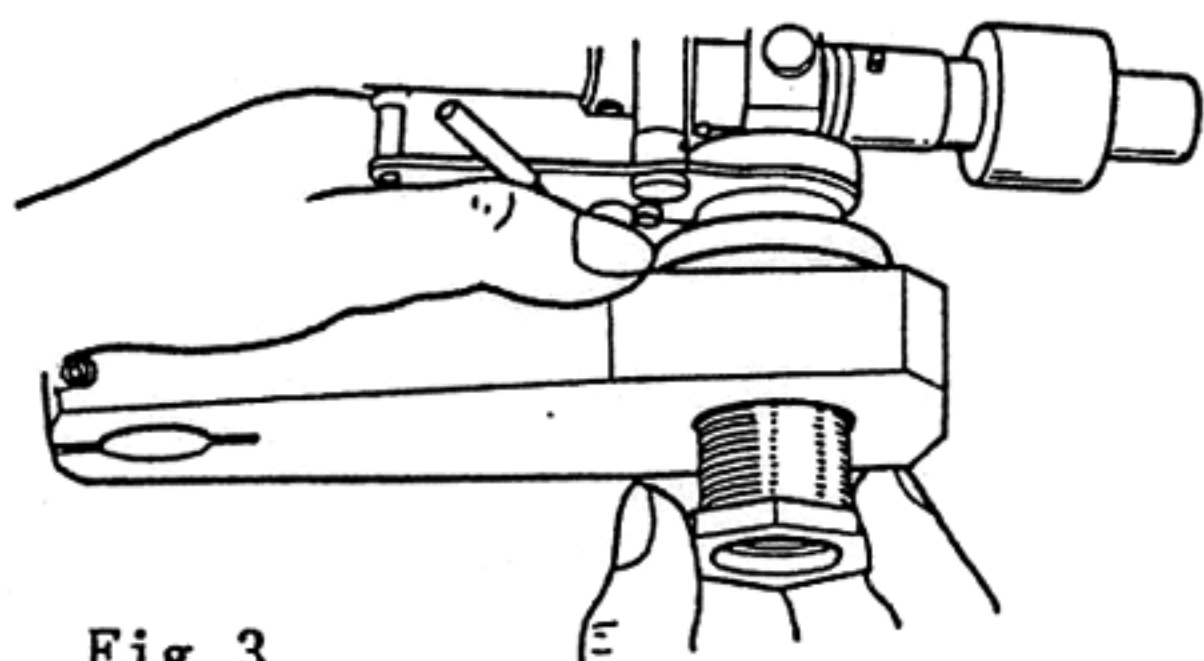


Fig.3

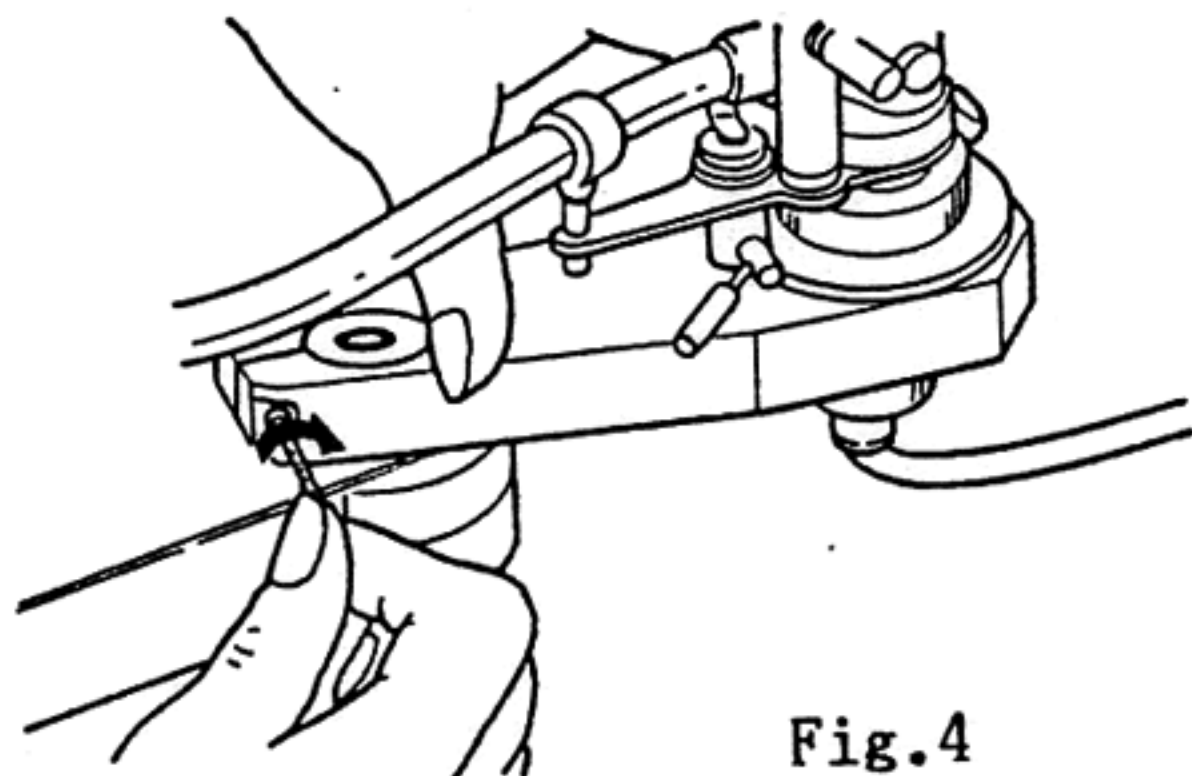
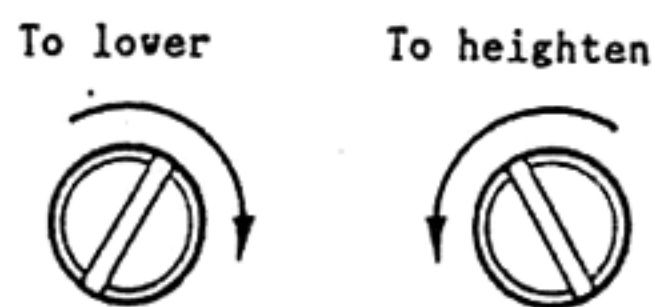


Fig.4

■ INSULATOR HEIGHT ADJUSTMENT

- Insulator height can be adjusted by turning the screws provided on each insulator pole.
- After the installation of all the parts, remove the insulator caps and turn the screws to adjust the horizontality of the system. After the adjustment, replace the caps.

Fig.5 (Viewed from above)



■ CARE AND MAINTENANCE

- MOTOR : The motor of the DDX-1500 uses special kind of oil and does not require any lubrication. Inappropriate lubrication may cause troubles. If anything goes wrong with the motor, consult your nearest dealers.
- PLATTER : For cleaning the platter surface, use dry or semi-dry tissues.

■ INSTALLATION OF THE SYSTEM

- Installation near the amplifier or other equipments using transformers should be avoided, as the leakage flux may cause hum during playback. Especially when you use the moving coil type of cartridges, install the system as far as possible from the amplifiers.

Fig.6

EXAMPLE OF INAPPROPRIATE INSTASLLATION

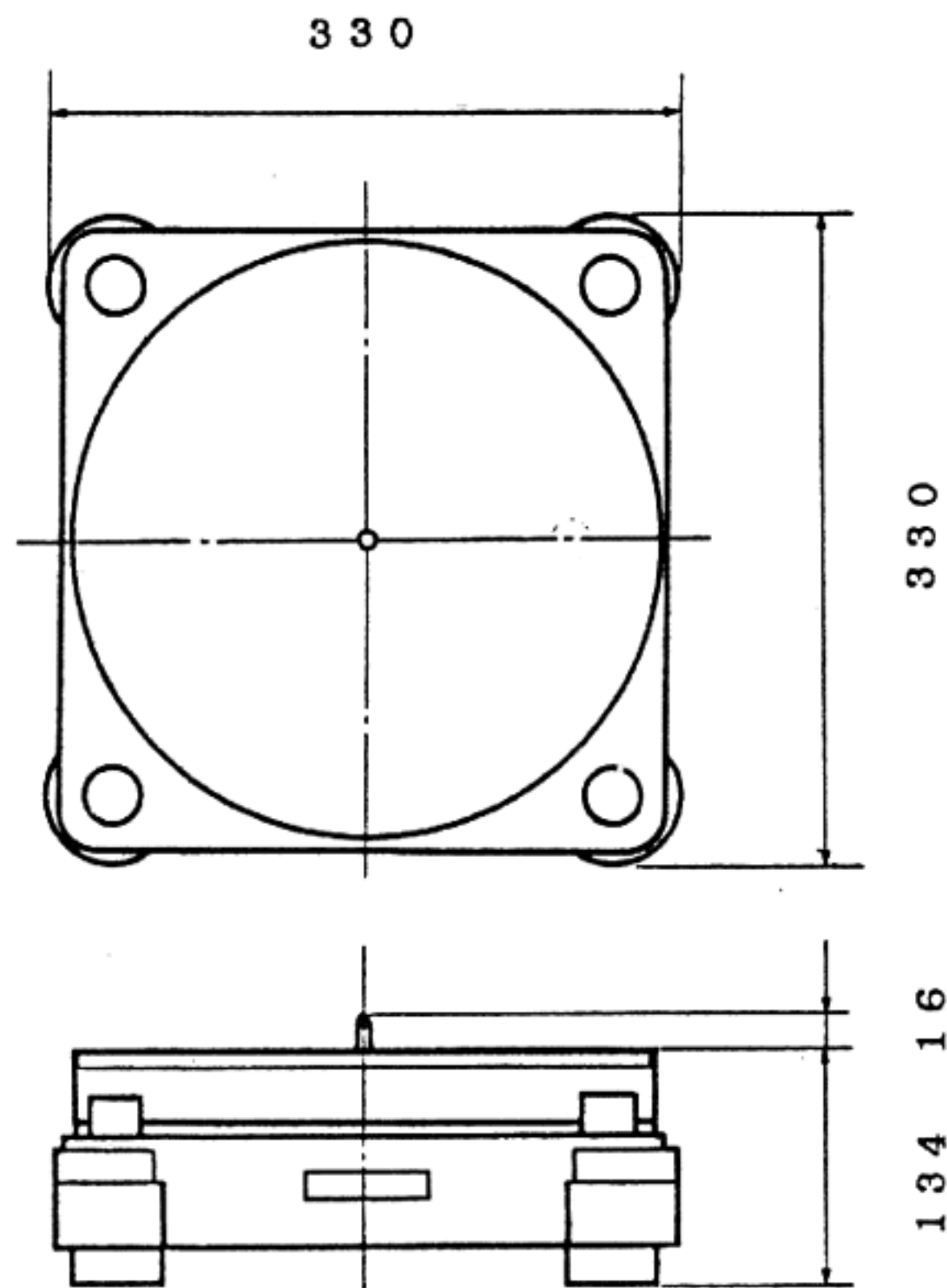


- For the same reason, the Power Supply Unit should be also placed far from the boosters for MC cartridge.
- As the environmental vibrations may be a cause of poor audio performance, the system should be placed on the firm, solid surface. Also, to avoid the acoustic feedback, do not install the system on and in front of the loud speakers, or near the wall.

■ SPECIFICATIONS

- Motor : Hall Direct Drive Quartz Lock Motor
(Slotless Type)
- Rotation Speed : 33 1/3, 45 rpm
- Platter : Material : Aluminium Diecast
Weight : 2.8kg
Inertia moment : 600kg
- Wow & Flutter : 0.03%(WRMS)
- Signal to Noise Ratio : More than 60dB
- Number of applicable tonearms : Up to 4 short tonearms
- Dimensions : 330×330×134 (upper side) mm
- Weight : 12kg (including platter)
- Standard Accessories : Power Unit, Operation Control Unit,
~~Standard Slits~~, 45rpm adaptor
- Optional Accessories : R-15 Metal Securing Poles (4 pcs. set),
ST-10 Disk Stabilizer, AX Series Arm Mounting
Base, RY-1500 Motor Unit, RS-1500 Motor Unit
Base, SF Belt, Kepler Thread

● Dimensions (mm)



■ AX SERIES TONEARM MOUNTING BASE AND SUITABLE TONEARMS

According to the following chart, select the most suitable Tonearm Mounting Base for your tonearm.

AX-1G

MICRO	MA-202, 303, 505, 505S, 505X, 707X
ADC	LMF-1, 2
AUDIO TECHNICA	AT-1005II
AUDIO CRAFT	AC-300C, 300A
DENON	DA-303, 305, 307, 309, 401
EMT	929
EXEL SOUND	ES-80
FR	FR-24MKII, 54, 14
GRACE	G-545F, 707, 840FB, 540, 945S
ORTOFON	RMG-212, SMG-212MKII
PIONEER	PA-1000
SAEC	WE-308N, SX, 407/23
TECHNICS	EPA-101S, L, 121L, S
VICTOR	UA-5045

AX-2G

SME	3009SII, SIII, 3010R
-----	----------------------

AX-3G

MICRO	505L, 505LS, 505LX
AUDIO CRAFT	AC-400C, 400A, 400MKII
DENON	DA-302, 304, 308
EMT	997
GRACE	G-565F, 860FB, 960
ORTOFON	RMG-309, RF-297
SAEC	WE-308L

AX-4G

SME	3012, 3012R
-----	-------------

AX-5G

AUDIO TECHNICA	AT-1503II, 1503III
FR	FR64, 64S

AX-6G

MICRO	MAX-282
AUDIO CRAFT	AC-4000MC
FR	FR-66S
GRACE	G660P
LUSTER	GST801
SAEC	WE-506/30
TECHNICS	EPA-100
VICTOR	UA-7082

AX-8G

MICRO	MA505MKII
SAEC	WE-308N, SX, 407/23
AUDIO CRAFT	AC-300MKII, 3000MC

AX-9G

MICRO	MAX-237
-------	---------

*When using the AX-1G and AX-5G, dedicated Tonearm Rest Base RX-1 is required.

*For other types of tonearms, consult your nearest dealer.